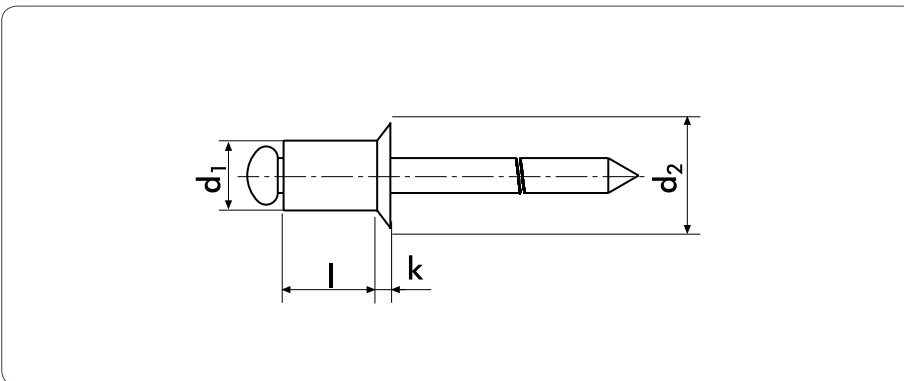
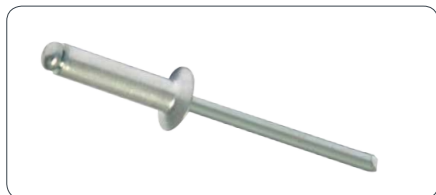


PCL 7336



Alumínio; Inox A2; Cobre; Aço;
Aluminum; Stainless Steel A2; Copper; Steel;
Aluminio; Acero Inoxidable A2; Cobre; Acero;
Aluminium; Acier Inoxydable A2; Cuivre; Acier;
Alluminio; Acciaio Inossidabile A2; Rame; Acciaio;

Rebite pop cabeça de embeber

Countersunk head blind rivet | Remache ciego con cabeza cvellanada | Rivet aveugle tête fraisée | Rivetti a testa svasata

d1	2.4	3.0	3.2	4.0	4.8	5.0	6.0	6.4
d2	-	6	6	7.5	9	9	11	12
k	-	0.9	0.9	1	1.2	1.2	1.5	1.6
l (mm)	Rebites/ Rivets/ Remaches/ Rivet/ Rivetti (AL) Prego/ Nail/ Clavo/ Clou/ Unghie (St./ A2)							
4	0.5-2	0.5-1.5						
6	2-4	1.5-3.5		1.5-3		2-3		
8	4-6	3.5-5.5		3-5		3-4.5	2-4	
10		5.5-7		5-6.5		4.5-6	4-6	
12		7-9		6.5-8.5		6-8	6-8	2-6
16		9-13		8.5-12.5		8-12	8-11	6-10
20		13-17		12.5-16.5		12-16	11-15	10-14
25		17-22		16.5-21.5		16-21	15-20	14-18
30						21-25	20-24	18-23
35						25-30	24-29	
40						30-25	29-34	
45						35-40	34-39	
50						40-45	39-44	
l (mm)	Rebites/ Rivets/ Remaches/ Rivet/ Rivetti (St.) Prego/ Nail/ Clavo/ Clou/ Unghie (St.)							
6		0.5-3		0.5-2.5				
8		3-5		2.5-4.5		2-4		
10		5-7		4.5-6.5		4-6	2.5-4.5	
12		7-9		6.5-8.5		6-8	4.5-6.5	
16		9-12.5		8.5-12		8-11	6.5-10.5	
20		12.5-16.5		12-16		11-15	10.5-14.5	
25				16-21		15-20	14.5-19.5	
30						20-25		
35						25-30		
l (mm)	Rebites/ Rivets/ Remaches/ Rivet/ Rivetti (A2, CuNi, Nicu) Prego/ Nail/ Clavo/ Clou/ Unghie (St./ A2)							
6		1-3		1-2.5		1-2		
8		3-5		2.5-4.5		2-4		
10		5-7		4.5-6.5		4-6		
12		7-9		6.5-8.5		6-8		
16				8.5-12		8-11		
20				12-16		11-15		
25				16-21		15-20		
l (mm)	Rebites/ Rivets/ Remaches/ Rivet/ Rivetti (Cu) Prego/ Nail/ Clavo/ Clou/ Unghie (St., A2, CuSn)							
4		0.5-1.5						
6		1.5-3		2.5-3.5				
8		3-5		3.5-4.5				
10		5-7		4.5-6.5				
12		7-9		6.5-8.5				

Outras medidas sob consulta | Other measures upon request | Otras medidas solo bajo encargo | Autres mesures sur demande | Altre misure a richiesta

Vários acabamentos. Peça-nos mais informações. | Surface treatment. Please ask us for more information. | Acabamientos variados. Pídenos más información. | Plusieurs finitions. Contactez-nous pour plus d'informations. | Ricopertura di superficie. A richiesta.



peças, pieces, piezas, pièces, pezzi